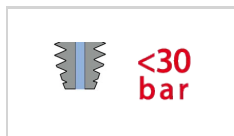


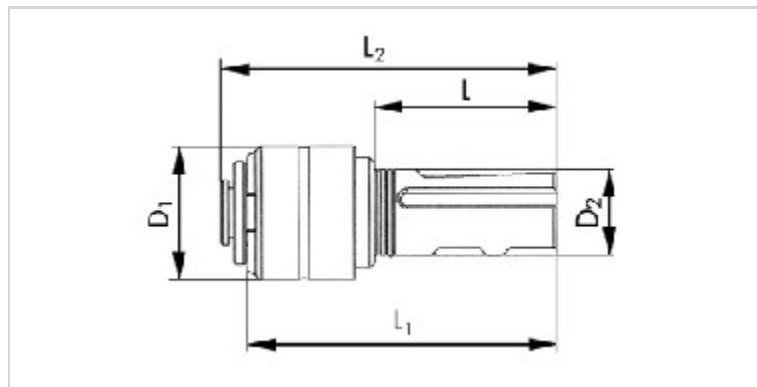
SRT312



CHARACTERISTICS



TECHNICAL DRAWING



TOOL DATA

ID	D_1	$\varnothing D_1$	L_1
162832	M3-M12	39.00	86.0

PRODUCT RANGE SRT312 SYNCHRO M3-M12 D=20-2



THREADING SOLUTIONS

[watch online](#)

ID	D ₁	Ø D ₁	L ₁
162832	M3-M12	39.00	86.0
162831	M3-M12	39.00	90.0