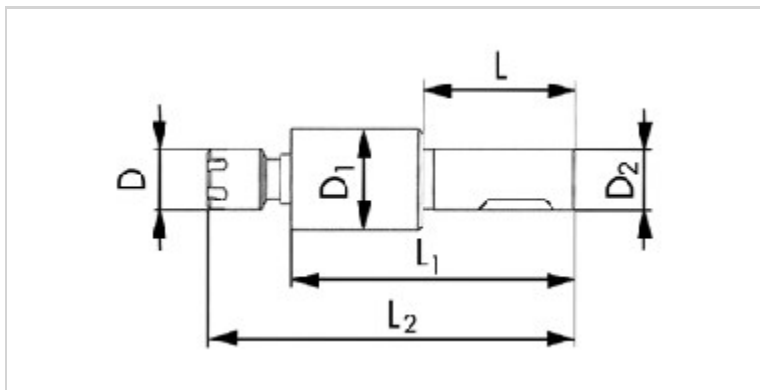


SRT054



TECHNICAL DRAWING



TOOL DATA

ID	D ₁	Ø D ₁	L ₁	L ₂
127413	M0.5-M4	20.00	59.0	75.0

PRODUCT RANGE SRT054 SYNCHRO M0.5-M4



THREADING SOLUTIONS

[watch online](#)

ID	D ₁	Ø D ₁	L ₁	L ₂
127413	M0.5-M4	20.00	59.0	75.0