

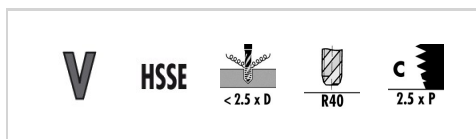
N460V-3



MATERIAL GROUPS



CHARACTERISTICS

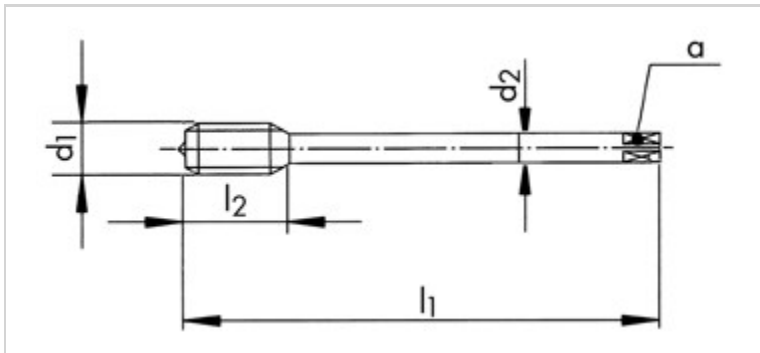




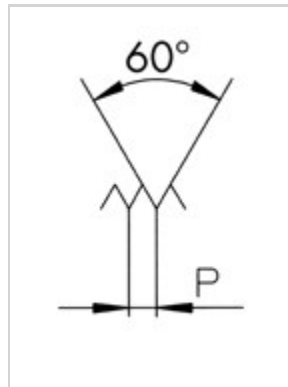
THREADING SOLUTIONS

[watch online](#)

TECHNICAL DRAWING



PROFILE SKETCH



TOOL DATA

ID	D ₁	Ø D ₁	TOL	P	L ₁	L ₂	D ₂	A		
102489	M5	5.00	6H	0.800	70.0	9.0	3.50	2.7	3	4.20



PRODUCT RANGE N460V-3 M5 6H

ID	D ₁	Ø D ₁	TOL	P	L ₁	L ₂	D ₂	A		
102489	M5	5.00	6H	0.800	70.0	9.0	3.50	2.7	3	4.20
102491	M6	6.00	6H	1.000	80.0	11.0	4.50	3.4	3	5.00
102492	M8	8.00	6H	1.250	90.0	12.5	6.00	4.9	3	6.80
102461	M10	10.00	6H	1.500	100.0	14.0	7.00	5.5	3	8.50
102465	M12	12.00	6H	1.750	110.0	14.0	9.00	7.0	3	10.20
146354	M12	12.00	6H LH	1.750	110.0	14.0	9.00	7.0	3	10.20
125044	M12	12.00	6H	1.750	110.0	14.0	9.00	7.0	3	10.30
142532	M12	12.00	7G	1.750	110.0	14.0	9.00	7.0	3	10.30
143602	M12	12.00	6G	1.750	110.0	14.0	9.00	7.0	3	10.30
144712	M14	14.00	6G	2.000	110.0	14.0	11.00	9.0	3	12.00
102468	M14	14.00	6H	2.000	110.0	14.0	11.00	9.0	3	12.00
102471	M16	16.00	6H	2.000	110.0	18.0	12.00	9.0	3	14.00
144956	M16	16.00	7G	2.000	110.0	18.0	12.00	9.0	3	14.00
150197	M16	16.00	6G	2.000	110.0	18.0	12.00	9.0	3	14.00



THREADING SOLUTIONS

[watch online](#)

ID	D ₁	Ø D ₁	TOL	P	L ₁	L ₂	D ₂	A		
143439	M16	16.00	6H LH	2.000	110.0	18.0	12.00	9.0	3	14.00
145311	M16	16.00	6H	2.000	110.0	18.0	12.00	9.0	3	14.10
102473	M18	18.00	6H	2.500	125.0	21.0	14.00	11.0	3	15.50
102475	M20	20.00	6H	2.500	140.0	24.0	16.00	12.0	4	17.50
145420	M20	20.00	6G	2.500	140.0	24.0	16.00	12.0	4	17.50
146564	M20	20.00	6H LH	2.500	140.0	24.0	16.00	12.0	4	17.50
102477	M22	22.00	6H	2.500	140.0	24.0	18.00	14.5	4	19.50
102480	M24	24.00	6H	3.000	160.0	27.0	18.00	14.5	4	21.00
102481	M27	27.00	6H	3.000	160.0	27.0	20.00	16.0	4	24.00
102482	M30	30.00	6H	3.500	180.0	30.0	22.00	18.0	4	26.50
102483	M33	33.00	6H	3.500	180.0	33.0	25.00	20.0	4	29.50
197516	M48x2	48.00	6H	2.000	190.0	26.0	36.00	29.0	5	0.00
102484	M36	36.00	6H	4.000	200.0	36.0	28.00	22.0	5	32.00
102485	M39	39.00	6H	4.000	200.0	40.0	32.00	24.0	5	35.00
102486	M42	42.00	6H	4.500	200.0	40.0	32.00	24.0	5	37.50
162450	M48x3	48.00	6H	3.000	220.0	35.0	36.00	29.0	5	0.00
102487	M45	45.00	6H	4.500	220.0	44.0	36.00	29.0	5	40.50
102488	M48	48.00	6H	5.000	250.0	48.0	36.00	29.0	5	43.00
110228	M52	52.00	6H	5.000	250.0	52.0	40.00	32.0	5	47.00
102490	M56	56.00	6H	5.500	280.0	56.0	45.00	35.0	6	50.50
143805	M64	64.00	6H	6.000	315.0	64.0	50.00	39.0	6	58.00